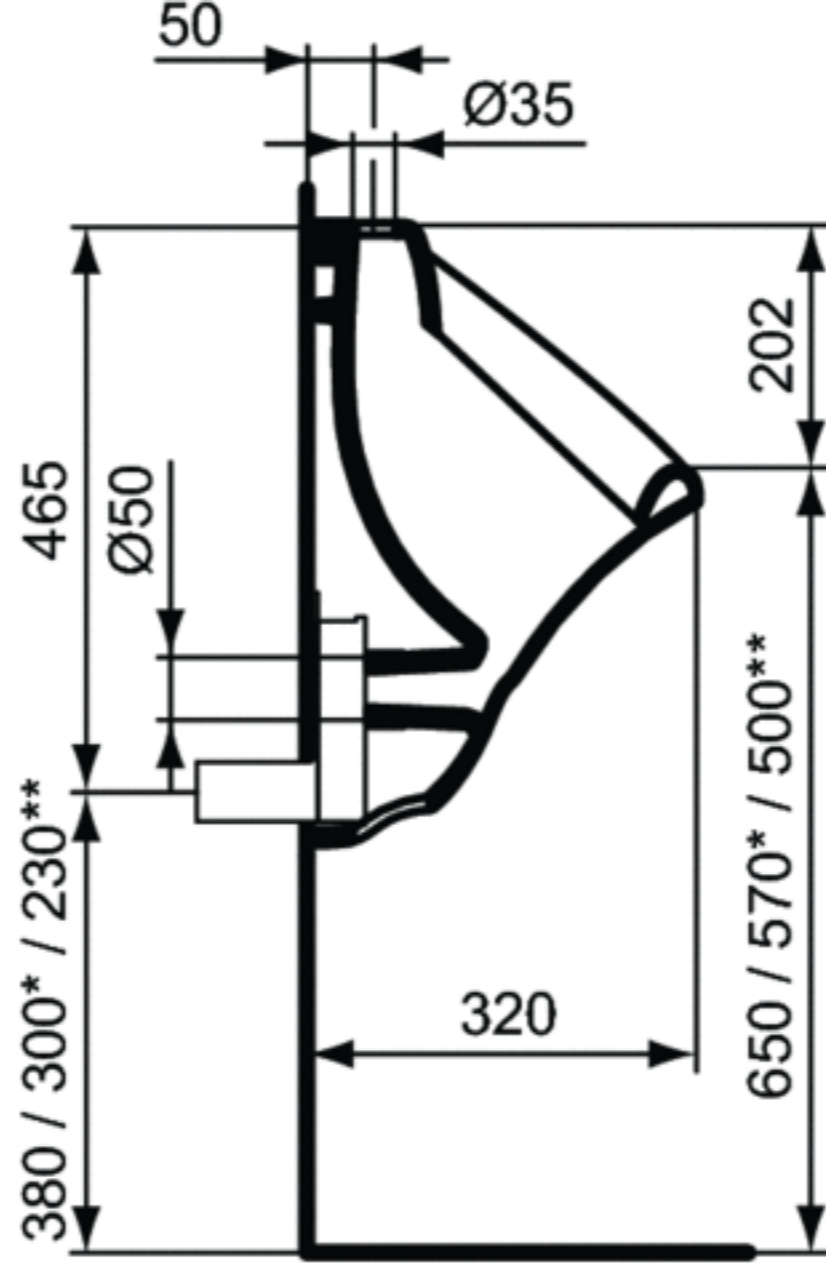


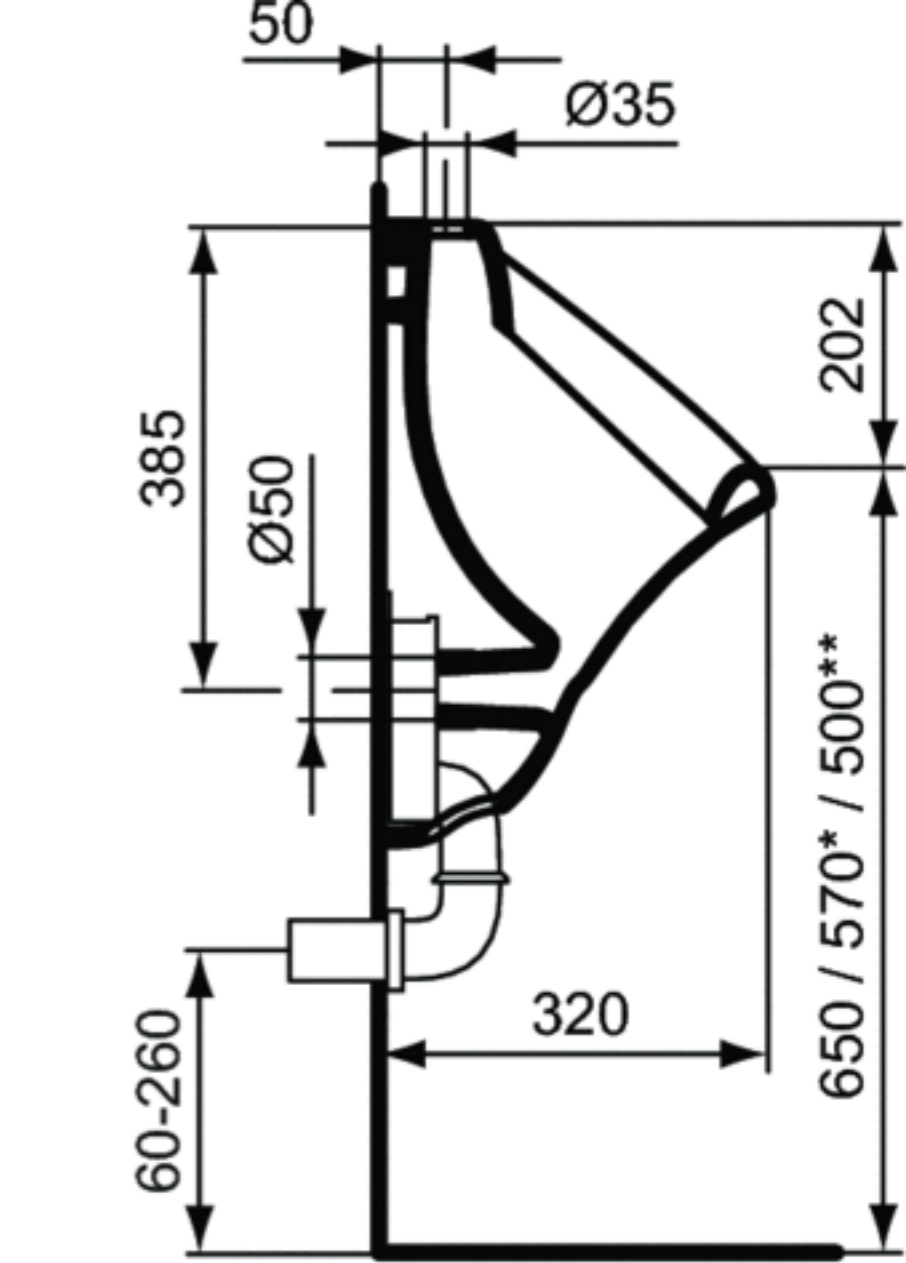
>15 years



*



11÷15 years



**



7÷11 years